

# 2004 CIF State Championship Wrestling Tournament



## Placers

### 103 lbs.

1st	CISNEROS, JOE (9) C1	Bakersfield	2-0
2nd	PAULSON, JUSTIN (10) S7	Calvary Chapel/SA	
3rd	FLORES, CALEB (10) S1	Northview	13-5
4th	NOVACHKOV, FILIP (10) CC1	Fremont	
5th	ARCHULETA, JUAN (10) S5	Sultana	12-2
6th	JUENGST, KEITH (10) SD1	Valhalla	
7th	NAVARRETE, DAVID (12) S6	Temecula Valley	4-2
8th	FIO, JOEY (9) SJ1	Ponderosa	

### 112 lbs.

1st	MORENO, BRIAN (11) S1	Foothill/S	6-4
2nd	BORGES, CORY (11) SJ1	Hughson	
3rd	LAND, BRETT (10) C1	Bakersfield	5-3
4th	GURICH, JOHN (12) CC1	Gilroy	
5th	SCHURKAMP, CURTIS (12) SJ2	Escalon	9-3
6th	ZOETEWY, BRANDON (11) NC1	DeLaSalle	
7th	SAVALA, JIMMY (10) C3	Clovis	3-1
8th	PHILLIPS, ANDRE (11) SJ4	Elk Grove	

### 119 lbs.

1st	FERGUSON, MICAH (11) SJ1	Del Oro	17-9
2nd	DILLISHAW, T.J. (12) SJ3	Bret Harte	
3rd	EXLINE, BILLY (12) SJ2	Turlock	F-1:39
4th	MASUTA, SABI (12) C2	Madera	
5th	RAMIREZ, RUDY (12) NC1	DeLaSalle	6-3
6th	OSUNA, BRYAN (11) S4	Calvary Chapel/SA	
7th	NACITA, ELIJAH (10) C3	Bakersfield	F-4:18
8th	BANK, KYLE (12) S3	Dana Hills	

### 125 lbs.

1st	JUAREZ, STEVEN (12) C2	Hanford	9-2
2nd	LOPEZ, KYLE (12) S3	Norte Vista	
3rd	MURPHY, BILLY (10) SJ1	Hughson	6-2
4th	ASTORGA, TEDDY (12) S1	Perris	
5th	OROZCO, MARCOS (12) SJ2	Vacaville	4-2
6th	ROCHA, DUSTIN (11) C3	Lemoore	
7th	CARLOS, JOAQUIN (12) CC2	Mitty	11-6
8th	TORRES, ANTHONY (11) C5	Exeter	

### 130 lbs.

1st	MORGAN, NATHAN (12) C1	Bakersfield	DEF-
2nd	WILLIAMS, JASON (12) C2	Clovis	
3rd	MENDENHALL, AARON (12) SJ1	Hughson	3-2
4th	FRACCHIA, TONY (12) SJ2	Vacaville	
5th	GLAVIN, JON (12) SJ3	Woodcreek	F-1:33
6th	CHRISTIAN, DAVID (11) NC1	San Ramon	
7th	VIDAURRI, RYAN (12) SD1	Fallbrook	9-4
8th	RONNY, JONATHAN (11) NC2	James Logan	

### 135 lbs.

1st	GONZALEZ, LEWIS (11) SJ1	Turlock	4-2
2nd	ALEKSANYAN, PATRICK (12) S6	Calvary Chapel/SA	
3rd	COX, JEFF (12) SJ2	Oakdale	3-0
4th	SILVAR, JESUS (12) S2	Santiago/Cor	
5th	BROOKS, ERIC (11) N1	Shasta	11-4
6th	KIRKEMO, JIMMY (12) S1	M.L. King	
7th	BOWMAN, KIPP (11) S3	Temecula Valley	5-3
8th	WARSH, ELWIN (11) SD1	Poway	

### 140 lbs.

1st	TIRAPELLE, TROY (12) C1	Clovis	13-12
2nd	JUAREGUI, DAVID (12) S1	Calvary Chapel/SA	
3rd	SWARTS, SPENCER (12) SD1	Poway	10-2
4th	DEL DUCA, DOMINIC (11) S2	Ayala	
5th	GARCIA, BENNY (12) SJ1	Manteca	2-1
6th	LUCATERO, OCTAVIO (12) CC2	San Benito	
7th	BINGHAM, NATHAN (12) NC1	Antioch	13-4
8th	DOUPE, ADAM (12) SJ5	Elk Grove	

### 145 lbs.

1st	HERRERA, ALEX (12) C2	Bakersfield	3-2
2nd	MARTINEZ, CHRIS (12) C1	Clovis West	
3rd	DANZ, JORDAN (11) SJ1	Ponderosa	10-3
4th	ACOSTA, DAVID (12) S1	North Torrance	
5th	FIELDING, COBY (12) C3	Buchanan	7-0
6th	TRUJILLO, GABRIEL (12) CC1	Greenfield	
7th	CLARK, JON (12) NC1	DeLaSalle	8-6
8th	TORCULAS, RICKY (12) CC2	NMC	

### 150 lbs.

1st	WILLIAMS, RYAN (12) SD1	La Costa Canyon	5-0
2nd	PEASE, BOBBY (12) CC1	Los Gatos	
3rd	MCGEORGE, SAM (12) S1	Northview	4-1
4th	RHEES, GLENN (12) S3	Atascadero	
5th	O'HARA, MIKE (12) S2	Redlands East Vly	15-3
6th	DOUD, JERRY (12) SJ3	Natomas	
7th	CRONAN, AUSTIN (11) SJ1	Turlock	4-2
8th	THOMPSON, BRYCE (12) C2	Clovis	

### 160 lbs.

1st	DEVAULT, CALVIN (12) S2	Temecula Valley	7-6
2nd	MERRITT, BRIAN (12) S1	Yucca Valley	
3rd	LOWDEN, JOHN (12) SJ1	Laguna Creek	7-6
4th	BERNACCHI, TYLER (12) C1	Clovis East	
5th	GREEN, BOBBY (12) S4	A.B. Miller	DEF-
6th	NOACK, DUSTIN (12) C2	Clovis West	
7th	DUBBS, KYLE (11) SJ3	Vacaville	14-9
8th	BARBRE, EVAN (12) SD3	Vista	

### 171 lbs.

1st	VARNER, JAKE (11) C1	Bakersfield	6-1
2nd	DRAKE, MICHAEL (11) SJ1	Elk Grove	
3rd	GARCIA, MARCUS (12) C3	Tulare	5-3
4th	NEJAL, RYAN (12) SD1	Scripps Ranch	
5th	STORMO, JIMMY (11) S1	San Jacinto	15-5
6th	MCGRAW, KYLE (12) SD3	Monte Vista	
7th	LEVAY, BRYAN (12) C4	Madera	10-5
8th	BALDWIN, JAKE (12) N1	Foothill/N	

### 189 lbs.

1st	HURST, MIKE (11) SJ1	Grace Davis	F-4:32
2nd	MAY, JEFF (12) SD1	La Costa Canyon	
3rd	MONTEIRO, MITCH (10) S3	Paso Robles	4-3
4th	KUCUKKOSEOGLU, ARMAN (11) S1	Ayala	
5th	SMITH, JAMES (12) NC1	Miramonte	1:40-
6th	BASINGER, ROBBIE (12) N1	West Valley	
7th	SCHNEIDER, WILL (12) C2	Clovis West	F-3:00
8th	DAVIS, JAYMESON (12) SD2	Rancho Buena Vista	

### 215 lbs.

1st	HALSEY, BRANDON (12) SD1	Rancho Buena Vista	7-2
2nd	NICHOLS, COLTON (11) SD2	Poway	
3rd	NYE, ERIK (11) N1	Red Bluff	3-1
4th	GARBRICK, LONNY (12) SJ2	Woodcreek	
5th	MARQUEZ, JOSH (12) C1	Bakersfield	F-1:51
6th	WOODY, JON (12) SJ1	Yuba City	
7th	SMITH, ROBBY (11) NC1	San Ramon	6-2
8th	NIELSEN, KODY (12) S1	Ventura	

### 275 lbs.

1st	SAUER, WADE (12) SJ1	Nevada Union	12-5
2nd	MACK, ALEX (12) S1	San Marcos	
3rd	MOORE, MARCUS (12) SJ2	Hogan	F-2:19
4th	SKAGGS, NATHANIEL (12) SD1	Rancho Bernardo	
5th	MOORE, GABERIAL (11) S3	Granite Hills/S	DEF-
6th	SHAW, ERNIE (12) SD2	Palo Verde	
7th	KETELSLEGER, NICK (12) S2	Ayala	2-1
8th	BELL, COREY (12) N1	Modoc	

### Team Score

	Ch	Pl	SC	
1	Bakersfield	4	7	170.5
2	Clovis	1	4	93.5
3	Poway	0	3	82.5
4	Calvary Chapel/SA	0	4	79.0
5	Turlock	1	3	73.0
6	Hughson	0	3	69.0
7	Clovis West	0	3	63.0
8	Temecula Valley	1	3	62.0
9	La Costa Canyon	1	2	54.0
10	Northview	0	2	52.0
11	Tulare	0	1	44.5
12	Ayala	0	3	44.0
13	Gilroy	0	1	43.0
14	Woodcreek	0	2	42.0
15	Elk Grove	0	3	41.5
16	Vacaville	0	3	40.5
17	Ponderosa	0	2	39.0
18	Madera	0	2	38.5
19	Rancho Buena Vista	1	2	34.5
20	DeLaSalle	0	3	34.0
	Nevada Union	1	1	34.0
22	Clovis East	0	1	33.0
23	Fremont	0	1	32.5
24	Grace Davis	1	1	29.0
25	Yucca Valley	0	1	27.0
	Hanford	1	1	27.0
27	Bret Harte	0	1	26.0
	San Ramon	0	2	26.0
29	Lemoore	0	1	25.0
	Paso Robles	0	1	25.0
	Foothill/S	1	1	25.0
	Del Oro	1	1	25.0
33	Perris	0	1	24.0
	San Marcos	0	1	24.0
	Los Gatos	0	1	24.0
36	James Logan	0	1	23.5
	Scripps Ranch	0	1	23.5
38	Atascadero	0	1	23.0
	Laguna Creek	0	1	23.0
	Norte Vista	0	1	22.0
	Escalon	0	1	22.0
	Oakdale	0	1	22.0
	Granite Hills/S	0	1	22.0
44	San Jacinto	0	1	21.5
45	Buchanan	0	1	21.0
46	Modoc	0	1	19.0
	Santiago/Cor	0	1	19.0
	Hogan	0	1	19.0
49	Rancho Bernardo	0	1	18.0
50	Exeter	0	1	17.5
51	Miramonte	0	1	17.0
	A.B. Miller	0	1	17.0
53	North Torrance	0	1	16.0
	Shasta	0	1	16.0
	Red Bluff	0	1	16.0
56	Redlands East Vly	0	1	15.5
57	Natomas	0	1	15.0
	Palo Verde	0	1	15.0
	Greenfield	0	1	15.0
	Vista	0	1	15.0

240 TEAMS COMPETED

# 2004 CIF State Championship

Weight Class : **103 lbs.**



15	DUBOSE, HANK (11) N1	MARVAL	CS
	Durham	10	3
	MARVAL, JEFF (10) S4		2.0
	Canyon Springs	253	
16	BOONE, JOEY (9) SD3	BOONE	POW
	Poway	4	4
	COSTA, TY (10) SJ2		2.0
	Turlock	589	
17	DYGERT, JUSTIN (12) NC2	OLEA	FARM
	Ukiah	4	2
	OLEA, PEDRO (10) C4		2.0
	Farmersville	254	
	NOVACHKOV, FILIP (10) CC1	ARCHULETA	SUL
18	Fremont	7	5
	ARCHULETA, JUAN (10) S5		2.0
	Sultana	757	
19	GARCIA, JESUS (10) S8	CISNEROS	BAK
	Tustin	4	1
	CISNEROS, JOE (9) C1		11.0
	Bakersfield	255	
	FLORES, GEORGE (10) SD2	CISNEROS	BAK
20	Bonita Vista	7	3
	BAKER, MAX (9) SJ5		2.0
	Elk Grove	590	
	BONDOC, PIERRE (10) SJ3	CISNEROS	BAK
21	Beyer	7	6
	DOMINGUEZ, CHRISTIAN (10) C7		5.0
	Corcoran	256	
	GIRE, JACOB (10) NC3	FLORES	NVW
22	James Logan	11	7
	FLORES, CALEB (10) S1		2.0
	Northview	591	
	FIO, JOEY (9) SJ1	FLORES	NVW
23	Ponderosa	F	2:50
	CONTRERAS, BUCK (9) C5		4.0
	Buchanan	257	
	NAVARRETE, DAVID (12) S4	NAVARRETE	TVY
24	Temecula Valley	4	4
	NGUYEN, KIET (12) SF1		2.0
	Balboa	592	
	JUENGST, KEITH (10) SD1	NAVARRETE	TVY
25	Valhalla	4	4
	BAUTISTA, MATT (12) S3		OT
	North Torrance	258	
	SHA, PARKER (10) CC2	JUENGST	VAH
26	Terra Nova	3	2
	VIGIL, FREDDIE (10) C6		5.0
	South Bakersfield	593	
	GOMEZ, LUPE (12) C3	JUENGST	VAH
27	Madera	F	3:16
	MARTINEZ, EDWIN (10) LA1		4.0
	Chatsworth	259	
	PAULSON, JUSTIN (10) S7	PAULSON	CC
28	Calvary Chapel/SA	4	0
	TRIGGAS, NIKKO (9) NC1		2.0
	Campolindo	594	
	ESPINOZA, RANDY (12) S2	PAULSON	CC
29	Santa Fe	5	3
	AGPAOA, BRANDON (12) SD4		5.0
	Monte Vista	260	
	FRAGOZA, WILL (11) SJ4	NARANJO	GIL
	Calaveras	9	7
	MATHEWS, JORDAN (10) C2		2.0
	Porterville	30	
	NARANJO, NICOLA (9) CC3	NARANJO	GIL
	Gilroy	9	0

11	3	3.0	
6	5	5.0	
11	4	2.0	
4	1	11.0	
7	3	2.0	
7	6	5.0	
11	7	2.0	
F	2:50	4.0	
10	7	2.0	
F	2:48	4.0	
4	4	2.0	
4	4	2.0	
4	4	2.0	
F	:49	4.0	
18	4	3.0	
6	5	2.0	
F	3:32	4.0	
11	2	3.0	
11	3	3.0	
9	7	2.0	
F	1:10	4.0	

**CISNEROS, JOE (9) C1**  
Bakersfield

**PAULSON, JUSTIN (10) S7**  
Calvary Chapel/SA

- 1st CISNEROS, JOE (9) C1 Bakersfield
- 2nd PAULSON, JUSTIN (10) S7 Calvary Chapel/SA
- 3rd FLORES, CALEB (10) S1 Northview
- 4th NOVACHKOV, FILIP (10) CC1 Fremont
- 5th ARCHULETA, JUAN (10) S5 Sultana
- 6th JUENGST, KEITH (10) SD1 Valhalla
- 7th NAVARRETE, DAVID (12) S4 Temecula Valley
- 8th FIO, JOEY (9) SJ1 Ponderosa



261	COSTA	TUR	477
9	4	1.0	
478	MATHEWS	POR	
10	3	1.0	
478	DOMINGUEZ	COR	
10	5	1.0	
10	0	2.0	
479	GARCIA	TUS	
3	0	3.0	
9	6	1.0	
5	4	1.0	
10	6	1.0	
6	4	1.0	
481	CONTRERAS	BUC	
7	2	1.0	
482	ESPINOZA	SF	
7	2	1.0	
483	SHA	TN	
2	1.0		
483	MARTINEZ	CHT	
6	2	1.0	
484	TRIGGAS	CAM	
17	4	2.0	
484	VIGIL	SBH	
F	2:08	3.0	
8	7	1.0	
8	7	1.0	
11	1	2.0	
8	2	2.0	

15-0	2.5	
1	58	4.0
15	5	4.0
15	2	6.0
3	2	5.0
15	2	6.0
13	5	3.0
3rd		
7	3	3.0
14	6	6.0

Plan 7

7th	ARCHULETA	SUL	5th
843	NAVARRETE	TVY	842
4	2	2.0	JUENGST
4	2	2.0	VAH
12	2	3.0	

# 2004 CIF State Championship

Weight Class : **112 lbs.**



31	MORENO, BRIAN (11) S1 FOOhill/S OLEA, ANGEL (11) C4 Farmersville	MORENO	9	4	2.0
32	NGO, EDDY (10) CC3 Overfelt GARCIA, EDDIE (11) SD3 Calexico	GARCIA	7	2	2.0
33	KELSEY, NEWMAN (11) N1 Willows RODRIGUEZ, JOJO (11) S8 Santa Fe	RODRIGUEZ	10	5	2.0
34	MERCADO, EDGAR (11) C5 Madera SCHURKAMP, CURTIS (12) SJ2 Escalon	SCHURKAMP	14	4	3.0
35	CABANAS, JOEY (10) S5 Canyon Springs FRAUSTO, MARLON (11) SD2 Eastlake	FRAUSTO	13	2	3.0
36	SUMMERS, DANIEL (10) CC2 Bellarmine ZOETEWEY, BRANDON (11) NC1 DeLaSalle	ZOETEWEY	3	0	2.0
37	RODRIGUEZ, MIKE (12) SJ3 Merced LAND, BRETT (10) C1 Bakersfield	RODRIGUEZ	9	2	2.0
38	HICKS, MATTHEW (9) O1 Oakland Technical FLORES, JOSH (12) S4 South Hills	FLORES	F	2:38	4.0
39	PARREIRA, BLAKE (12) C2 Tulare SANDOVAL, ALEX (12) SJ5 Hiram Johnson	PARREIRA	8	2	2.0
40	SARIC, STEVEN (12) S3 Temecula Valley DURAGO, JAMES (12) NC2 James Logan	SARIC	DEF		4.0
41	PAARLBERG, HANNAH (12) SF1 Balboa ROMAN-MARIN, SEAN (9) C6 Lemoore	ROMAN-MARIN	F	3:36	4.0
42	BORGES, CORY (11) SJ1 Hughson CORTEZ, DAVID (12) S6 Pacifica/Ox	BORGES	TF	15:0	3.5
43	GURICH, JOHN (12) CC1 Gilroy MANIGAULT, SHAD (10) S7 Northview	GURICH	11	2	3.0
44	SAVALA, JIMMY (10) C3 Clovis MEDINA, PAUL (12) LA1 Chatsworth	SAVALA	13	2	3.0
45	PRADO, DAVID (9) NC3 Freedom HERNANDEZ, JOSE (12) S2 Santa Ana	HERNANDEZ	15	4	3.0
2	GIBSON, KEITH (11) C7 Mt Whitney	SANTILLAN	3	2	2.0
	PHILLIPS, ANDRE (11) SJ4 Elk Grove	SANTILLAN	5	4	2.0
	SANTILLAN, SERGIO (11) SD1 Hilltop				

597	MORENO	10	0	3.0
598	ZOETEWEY	5	0	2.0
599	BORGES	16	5	6.0
600	GURICH	6	0	2.0
601	PHILLIPS	8	3	1.0
602	LAND	F	3:19	3.0
603	SAVALA	4	1	1.0
604	ROMAN-MARI	14	9	1.0
605	PHILLIPS	8	3	1.0
606	LAND	F	2:58	4.0
607	SAVALA	4	1	1.0
608	SCHURKAMP	8	2	3.0
761	MORENO	6	1	5.0
762	BORGES	1	0	11.0
763	LAND	10	0	4.0
764	SCHURKAMP	8	2	3.0
765	PHILLIPS	7	4	2.0
766	LAND	6	2	5.0
767	SAVALA	12	2	3.0
768	SCHURKAMP	5	4	1.0
769	SCHURKAMP	F	2:45	4.0
770	GURICH	9	2	5.0
771	MORENO	7	2	11.0
772	MORENO, BRIAN (11) S1 FOOhill/S			
773	BORGES, CORY (11) SJ1 Hughson			
774	MORENO	6	4	4.0
775	MORENO, BRIAN (11) S1 FOOhill/S			
776	MORENO	6	4	1st 4.0
777	BORGES, CORY (11) SJ1 Hughson			
778	PHILLIPS	8	3	1.0
779	LAND	F	3:49	3.0
780	SAVALA	6	1	1.0
781	FLORES			
782	SAVALA	4	1	1.0
783	ROMAN-MARI	5	4	1.0
784	SCHURKAMP	F	2:45	4.0
785	GURICH	9	2	5.0
786	PHILLIPS	8	3	1.0
787	LAND	6	2	5.0
788	SAVALA	12	2	3.0
789	SCHURKAMP	5	4	1.0
790	SCHURKAMP	F	2:45	4.0
791	GURICH	9	2	5.0
792	PHILLIPS	8	3	1.0
793	SAVALA	3	1	2.0
794	SCHURKAMP	9	3	2.0



- 1st MORENO, BRIAN (11) S1 Foothill/S
- 2nd BORGES, CORY (11) SJ1 Hughson
- 3rd LAND, BRETT (10) C1 Bakersfield
- 4th GURICH, JOHN (12) CC1 Gilroy
- 5th SCHURKAMP, CURTIS (12) SJ2 Escalon
- 6th ZOETEWEY, BRANDON (11) NC1 DeLaSalle
- 7th SAVALA, JIMMY (10) C3 Clovis
- 8th PHILLIPS, ANDRE (11) SJ4 Elk Grove

Plan 4

PHILLIPS	EG	7th	ZOETEWEY	DLS	5th
846	SAVALA	CLO	845	SCHURKAMP	ESC
3	1	2.0	9	3	2.0



# 2004 CIF State Championship

Weight Class : **125 lbs.**



63	ASTORGA, TEDDY (12) S1 Perris	ASTORGA	PER	3.0
	TREVINO, RAFAEL (11) C6 Buchanan	301		
64	NUSS, TIM (12) NC3 St. Helena	CARLOS	MIT	2.0
	CARLOS, JOAQUIN (12) CC2 Mitty	302		
65	ROCHA, DUSTIN (11) C3 Lemoore	ROCHA	LEM	2.0
	LEWIS, PAUL (12) SF1 Balboa	303		
66	VELASCO, BOBBY (12) SD1 Brawley	VELASCO	BRA	4.0
	RICE, MIKE (12) S8 St. John Bosco	DEF		
67	SANCHEZ, IVAN (11) S5 Santiago/GG	ALVES	WIL	1.0
	ALVES, BRIAN (10) N1 Willows	304		
68	BESTOLARIDES, HARRY (12) SJ5 Bear Creek	JUAREZ	HAN	3.0
	JUAREZ, STEVEN (12) C2 Hanford	305		
69	MURPHY, BILLY (10) SJ1 Hughson	MURPHY	HUG	3.5
	NAGISHBENDI, VINCENT (12) CC3 Terra Nova	TF 17-1		
70	ZIMMERMAN, CHRIS (12) NC2 Montgomery	PALLANES	SAV	2.0
	PALLANES, LUIS (12) S4 Santa Ana Valley	306		
71	LOPEZ, KYLE (12) S3 Norte Vista	LOPEZ	NV	4.0
	SAENZ, RUBEN (10) LA1 San Fernando	F 5:15		
72	MARTINEZ, FERNANDO (11) C7 Firebaugh	PALMER	POW	3.0
	PALMER, SCHUYLER (11) SD2 Poway	307		
73	TOVSHINBAYAR, ZOLBOO (9) O1 Oakland High	DANZ	PON	4.0
	DANZ, JUSTIN (9) SJ3 Ponderosa	F .54		
74	SOTO, JOE (11) C1 Porterville	SOTO	POR	3.5
	GOMEZ, JAVIER (12) S6 Valencia/P	TF 17-2		
75	JUSTO, RUDY (12) S7 Santa Ana	GONZALEZ	GIL	2.0
	GONZALEZ, ARMANDO (10) CC1 Gilroy	5 4		
76	HUSEIN, ALI (11) C4 Selma	OROZCO	VAC	3.0
	OROZCO, MARCOS (12) SJ2 Vacaville	8 0		
77	HERRERA, JOSE (11) SD3 Mission Bay	HERRERA	MSB	2.0
	ROGERS, ANDREW (10) NC1 Healdsburg	3 2		
4	LOPEZ, JAIME (11) SJ4 Rocklin	TORRES	EXE	2.0
	TORRES, ANTHONY (11) C5 Exeter	78		
	MEDINA, LARRY (10) S2 Northview	13 8	EXE	2.0

613	CARLOS	MIT	3.0	
614	JUAREZ	HAN	3.0	
615	LOPEZ	NV	2.0	
616	OROZCO	VAC	2.0	
617	PALLANES	SAV	1.0	
618	ASTORGA	PER	2.0	
619	GONZALEZ	GIL	2.0	
620	MURPHY	HUG	2.0	
621	JUAREZ	HAN	4.0	
622	CARLOS	MIT	3.0	
623	ROCHA	LEM	5.0	
624	JUAREZ	HAN	5.0	
625	JUAREZ	HAN	4.0	
626	JUAREZ	HAN	4.0	
627	JUAREZ	HAN	4.0	
628	JUAREZ	HAN	4.0	
629	JUAREZ	HAN	4.0	
630	JUAREZ	HAN	4.0	
631	JUAREZ	HAN	4.0	
632	JUAREZ	HAN	4.0	
633	JUAREZ	HAN	4.0	
634	JUAREZ	HAN	4.0	
635	JUAREZ	HAN	4.0	
636	JUAREZ	HAN	4.0	
637	JUAREZ	HAN	4.0	
638	JUAREZ	HAN	4.0	
639	JUAREZ	HAN	4.0	
640	JUAREZ	HAN	4.0	
641	JUAREZ	HAN	4.0	
642	JUAREZ	HAN	4.0	
643	JUAREZ	HAN	4.0	
644	JUAREZ	HAN	4.0	
645	JUAREZ	HAN	4.0	
646	JUAREZ	HAN	4.0	
647	JUAREZ	HAN	4.0	
648	JUAREZ	HAN	4.0	
649	JUAREZ	HAN	4.0	
650	JUAREZ	HAN	4.0	
651	JUAREZ	HAN	4.0	
652	JUAREZ	HAN	4.0	
653	JUAREZ	HAN	4.0	
654	JUAREZ	HAN	4.0	
655	JUAREZ	HAN	4.0	
656	JUAREZ	HAN	4.0	
657	JUAREZ	HAN	4.0	
658	JUAREZ	HAN	4.0	
659	JUAREZ	HAN	4.0	
660	JUAREZ	HAN	4.0	
661	JUAREZ	HAN	4.0	
662	JUAREZ	HAN	4.0	
663	JUAREZ	HAN	4.0	
664	JUAREZ	HAN	4.0	
665	JUAREZ	HAN	4.0	
666	JUAREZ	HAN	4.0	
667	JUAREZ	HAN	4.0	
668	JUAREZ	HAN	4.0	
669	JUAREZ	HAN	4.0	
670	JUAREZ	HAN	4.0	
671	JUAREZ	HAN	4.0	
672	JUAREZ	HAN	4.0	
673	JUAREZ	HAN	4.0	
674	JUAREZ	HAN	4.0	
675	JUAREZ	HAN	4.0	
676	JUAREZ	HAN	4.0	
677	JUAREZ	HAN	4.0	
678	JUAREZ	HAN	4.0	
679	JUAREZ	HAN	4.0	
680	JUAREZ	HAN	4.0	
681	JUAREZ	HAN	4.0	
682	JUAREZ	HAN	4.0	
683	JUAREZ	HAN	4.0	
684	JUAREZ	HAN	4.0	
685	JUAREZ	HAN	4.0	
686	JUAREZ	HAN	4.0	
687	JUAREZ	HAN	4.0	
688	JUAREZ	HAN	4.0	
689	JUAREZ	HAN	4.0	
690	JUAREZ	HAN	4.0	
691	JUAREZ	HAN	4.0	
692	JUAREZ	HAN	4.0	
693	JUAREZ	HAN	4.0	
694	JUAREZ	HAN	4.0	
695	JUAREZ	HAN	4.0	
696	JUAREZ	HAN	4.0	
697	JUAREZ	HAN	4.0	
698	JUAREZ	HAN	4.0	
699	JUAREZ	HAN	4.0	
700	JUAREZ	HAN	4.0	
701	JUAREZ	HAN	4.0	
702	JUAREZ	HAN	4.0	
703	JUAREZ	HAN	4.0	
704	JUAREZ	HAN	4.0	
705	JUAREZ	HAN	4.0	
706	JUAREZ	HAN	4.0	
707	JUAREZ	HAN	4.0	
708	JUAREZ	HAN	4.0	
709	JUAREZ	HAN	4.0	
710	JUAREZ	HAN	4.0	
711	JUAREZ	HAN	4.0	
712	JUAREZ	HAN	4.0	
713	JUAREZ	HAN	4.0	
714	JUAREZ	HAN	4.0	
715	JUAREZ	HAN	4.0	
716	JUAREZ	HAN	4.0	
717	JUAREZ	HAN	4.0	
718	JUAREZ	HAN	4.0	
719	JUAREZ	HAN	4.0	
720	JUAREZ	HAN	4.0	
721	JUAREZ	HAN	4.0	
722	JUAREZ	HAN	4.0	
723	JUAREZ	HAN	4.0	
724	JUAREZ	HAN	4.0	
725	JUAREZ	HAN	4.0	
726	JUAREZ	HAN	4.0	
727	JUAREZ	HAN	4.0	
728	JUAREZ	HAN	4.0	
729	JUAREZ	HAN	4.0	
730	JUAREZ	HAN	4.0	
731	JUAREZ	HAN	4.0	
732	JUAREZ	HAN	4.0	
733	JUAREZ	HAN	4.0	
734	JUAREZ	HAN	4.0	
735	JUAREZ	HAN	4.0	
736	JUAREZ	HAN	4.0	
737	JUAREZ	HAN	4.0	
738	JUAREZ	HAN	4.0	
739	JUAREZ	HAN	4.0	
740	JUAREZ	HAN	4.0	
741	JUAREZ	HAN	4.0	
742	JUAREZ	HAN	4.0	
743	JUAREZ	HAN	4.0	
744	JUAREZ	HAN	4.0	
745	JUAREZ	HAN	4.0	
746	JUAREZ	HAN	4.0	
747	JUAREZ	HAN	4.0	
748	JUAREZ	HAN	4.0	
749	JUAREZ	HAN	4.0	
750	JUAREZ	HAN	4.0	
751	JUAREZ	HAN	4.0	
752	JUAREZ	HAN	4.0	
753	JUAREZ	HAN	4.0	
754	JUAREZ	HAN	4.0	
755	JUAREZ	HAN	4.0	
756	JUAREZ	HAN	4.0	
757	JUAREZ	HAN	4.0	
758	JUAREZ	HAN	4.0	
759	JUAREZ	HAN	4.0	
760	JUAREZ	HAN	4.0	
761	JUAREZ	HAN	4.0	
762	JUAREZ	HAN	4.0	
763	JUAREZ	HAN	4.0	
764	JUAREZ	HAN	4.0	
765	JUAREZ	HAN	4.0	
766	JUAREZ	HAN	4.0	
767	JUAREZ	HAN	4.0	
768	JUAREZ	HAN	4.0	
769	JUAREZ	HAN	4.0	
770	JUAREZ	HAN	4.0	
771	JUAREZ	HAN	4.0	
772	JUAREZ	HAN	4.0	
773	JUAREZ	HAN	4.0	
774	JUAREZ	HAN	4.0	
775	JUAREZ	HAN	4.0	
776	JUAREZ	HAN	4.0	
777	JUAREZ	HAN	4.0	
778	JUAREZ	HAN	4.0	
779	JUAREZ	HAN	4.0	
780	JUAREZ	HAN	4.0	
781	JUAREZ	HAN	4.0	
782	JUAREZ	HAN	4.0	
783	JUAREZ	HAN	4.0	
784	JUAREZ	HAN	4.0	
785	JUAREZ	HAN	4.0	
786	JUAREZ	HAN	4.0	
787	JUAREZ	HAN	4.0	
788	JUAREZ	HAN	4.0	
789	JUAREZ	HAN	4.0	
790	JUAREZ	HAN	4.0	
791	JUAREZ	HAN	4.0	
792	JUAREZ	HAN	4.0	
793	JUAREZ	HAN	4.0	
794	JUAREZ	HAN	4.0	
795	JUAREZ	HAN	4.0	
796	JUAREZ	HAN	4.0	
797	JUAREZ	HAN	4.0	
798	JUAREZ	HAN	4.0	
799	JUAREZ	HAN	4.0	
800	JUAREZ	HAN	4.0	
801	JUAREZ	HAN	4.0	
802	JUAREZ	HAN	4.0	
803	JUAREZ	HAN	4.0	
804	JUAREZ	HAN	4.0	
805	JUAREZ	HAN	4.0	
806	JUAREZ	HAN	4.0	
807	JUAREZ	HAN	4.0	
808	JUAREZ	HAN	4.0	
809	JUAREZ	HAN	4.0	
810	JUAREZ	HAN	4.0	
811	JUAREZ	HAN	4.0	
812	JUAREZ	HAN	4.0	
813	JUAREZ	HAN	4.0	
814	JUAREZ	HAN	4.0	
815	JUAREZ	HAN	4.0	
816	JUAREZ	HAN	4.0	
817	JUAREZ	HAN	4.0	
818	JUAREZ	HAN	4.0	
819	JUAREZ	HAN	4.0	
820	JUAREZ	HAN	4.0	
821	JUAREZ	HAN	4.0	
822	JUAREZ	HAN	4.0	
823	JUAREZ	HAN	4.0	
824	JUAREZ	HAN	4.0	
825	JUAREZ	HAN	4.0	
826	JUAREZ	HAN	4.0	
827	JUAREZ	HAN	4.0	
828	JUAREZ	HAN	4.0	
829	JUAREZ	HAN	4.0	
830	JUAREZ	HAN	4.0	
831	JUAREZ	HAN	4.0	
832	JUAREZ	HAN	4.0	
833	JUAREZ	HAN	4.0	
834	JUAREZ	HAN	4.0	
835	JUAREZ	HAN	4.0	
8				

# 2004 CIF State Championship

Weight Class : **130 lbs.**



79	CHRISTIAN, DAVID (11) NC1 San Ramon BALASSE, JOAQUIN (12) C5 Tehachapi DROUIN, CHRIS (10) S7	CHRISTIAN F 5:07	SRN 4.0
80	DROUIN, CHRIS (10) S7 Chaparral DUENAS, ADIN (10) CC2 Gilroy MONAHAN, MATT (12) SD3 La Costa Canyon HOANG, HIEP (12) S2 Brea MENDENHALL, AARON (12) SJ1 Hughson OCHOA, JOSEPH (11) C4 Reedley MORGAN, NATHAN (12) C1 Bakersfield BRENDLE, SHAWN (11) SJ5 Sheldon LANK, RYAN (12) S6 Santa Margarita GAUGHRAN, BLAKE (12) SD2 Vista QUINONES, SERGIO (12) C7 Lemoore AGUILAR, GABE (11) S3 Mater Dei SEO, JOSEPH (12) CC3 Fremont ALEXANDER, AARON (12) N1 Anderson WILLIAMS, JASON (12) C2 Clovis DELGADO, NEXI (12) NC3 Livermore RUDELL, JEFF (12) S5 Ayala VIDAURRI, RYAN (12) SD1 Fallbrook AVALOS, DAVID (12) S4 Covina MARQUEZ, ADAN (12) CC1 Aptos GLAVIN, JON (12) SJ3 Woodcreek PETERSEN, ZAC(11) SD4 Poway MALDONADO, BRYAN (11) LA1 Bell FRACCHIA, TONY (12) SJ2 Vacaville BELMONTE, JOE (12) S1 Atascadero GIBSON, CODY (11) C6 Mt Whitney WEATHERLY, DANIEL (10) C3 Exeter CUNHA, ANDREW (11) SJ4 Foothill/SJ TRAN, SELBY (12) SF1 Galileo	DROUIN 6 4 OT 2.0 317 DROUIN 5 4 2.0 621 MENDENHALL 13 3 6.0 HOANG 4 1 2.0 318 MENDENHALL F 3:59 4.0 MENDENHALL 13 11 2.0 773 MORGAN TF 18-3 12.5 MORGAN TF 20-5 3.5 MORGAN TF 21-5 3.5 GAUGHRAN 8 0 3.0 622 MORGAN 11 6 5.0 AGUILAR 9 7 2.0 320 ALEXANDER 8 0 3.0 WILLIAMS 14 2 3.0 321 VIDAURRI 8 3 2.0 623 WILLIAMS TF 23-5 3.5 AVALOS DEF 4.0 322 PETERSEN F 1:14 4.0 624 FRACCHIA 5 4 2.0 FRACCHIA 7 3 5.0 CUNHA 4 0 2.0 324 RONNY TF 16-0 3.5	CHA 2.0 CHA 2.0 BRE 2.0 HUG 4.0 HUG 6.0 BAK 12.5 BAK 3.5 BAK 3.5 VIS 3.0 BAK 5.0 MD 2.0 MD 3.5 AND 3.0 CLO 3.0 CLO 3.5 FLB 2.0 COV 4.0 POW 2.0 VAC 4.0 VAC 2.0 ATA 4.0 FOT 2.0 JLG 2.0 JLG 3.5

5	SCHEIDT, TYLER (10) S8 Nipomo RONNY, JONATHAN (11) NC2 James Logan	94 RONNY 11 10 2.0	JLG 2.0
BALASSE	THE	325	
243	DROUIN	GIL	509
DUENAS	GIL	TF 16-1 2.5	DROUIN
	SCHIEDT	NIP	F 4:36 3.0
	MONAHAN	LCC	ALEXANDER
	326	MONAHAN	LCC
	OCHOA	REE	11 5 1.0
		GAUGHRAN	VIS
	BRENDLE	SHE	511
	327	BRENDLE	SHE
	LANK	SMR	2 0 1.0
		HOANG	BRE
	QUINONES	LEM	512
	328	QUINONES	LEM
	SEO	FRE	F 4:48 3.0
		CHRISTIAN	SRN
	DELGADO	LIV	513
	329	RUDELL	AYA
	RUDELL	AYA	2 1 1.0
		CUNHA	FOT
	MARQUEZ	APT	514
	330	GLAVIN	WDC
	GLAVIN	WDC	DEF 3.0
		BELMONTE	ATA
	MALDONADO	BLL	515
	331	MALDONADO	BLL
	GIBSON	MTW	DEF 3.0
		AVALOS	COV
	WEATHERLY	EXE	516
	332	WEATHERLY	EXE
	TRAN	GA	TF 15-0 2.5
		VIDAURRI	FLB
		VIDAURRI	FLB

- 1st MORGAN, NATHAN (12) C1 Bakersfield
- 2nd WILLIAMS, JASON (12) C2 Clovis
- 3rd MENDENHALL, AARON (12) SJ1 Hughson
- 4th FRACCHIA, TONY (12) SJ2 Vacaville
- 5th GLAVIN, JON (12) SJ3 Woodcreek
- 6th CHRISTIAN, DAVID (11) NC1 San Ramon
- 7th VIDAURRI, RYAN (12) SD1 Fallbrook
- 8th RONNY, JONATHAN (11) NC2 James Logan



717	GAUGHRAN	VIS	15 2 2.0
	RONNY	JLG	3 2 2.0
775	CHRISTIAN	SRN	5 3 3.0
821	CHRISTIAN	SRN	10 6 2.0
	MENDENHALL	HUG	12 0 6.0
718	CHRISTIAN	SRN	14 5 2.0
	PETERSEN	POW	
719	GLAVIN	WDC	9 6 1.0
	GLAVIN	WDC	6 2 2.0
776	GLAVIN	WDC	8 2 3.0
822	GLAVIN	WDC	9 2 2.0
	VIDAURRI	FLB	9 2 2.0
720	VIDAURRI	FLB	7 2 1.0
	DROUIN	CHA	
853	MENDENHALL	HUG	3 2 2.0
	FRACCHIA	VAC	5 2 5.0
854	GLAVIN	WDC	F 1:33 4.0

Plan 6

RONNY	JLG	7th	CHRISTIAN	SRN	5th
855	VIDAURRI	FLB	854	GLAVIN	WDC
VIDAURRI	FLB	9 4	2.0	GLAVIN	WDC

# 2004 CIF State Championship

Weight Class : **135 lbs.**



95	KIRKEMO, JIMMY (12) S1	KIRKEMO	MLK
	M.L. King	8	2.0
	SANCHEZ, SAL (12) C6	333	
	Wasco		
96	PRESSNAL, STEVEN (12) NC3	GARCIA	ALI
	Albany	3	2.0
	GARCIA, MIGUEL (12) CC2		
	Alisal		
	SCHNEIDER, JUSTIN (12) C3		
97	Buchanan	SCHNEIDER	BUC
	LAVEXEIR, DONTE (12) SF1	F	3:27
	Galileo		
	WARSH, ELWIN (11) SD1	334	
98	Poway	WARSH	POW
	EIGELBACH, TYLER (12) S8	6	0
	Trabuco Hills		
	SANTEYAN, RICHARD (12) S5		
99	South El Monte	BROOKS	SHA
	BROOKS, ERIC (11) N1	13	3
	Shasta		
	MARAGLIA, DREW (11) SJ5	335	
100	Nevada Union	WEBBER	BAK
	WEBBER, TONY (9) C2	5	4
	Bakersfield		
	GONZALEZ, LEWIS (11) SJ1		
101	Turlock	GONZALEZ	TUR
	HAYGOOD, CHAD (12) CC3	9	5
	Gilroy		
	SANCHEZ, ANDY (11) NC2	336	
102	Liberty	SERRATO	SA
	SERRATO, JOSE (11) S4	F	4:18
	Santa Ana		
	BOWMAN, KIPP (11) S3		
103	Temecula Valley	BOWMAN	TVY
	TOBIN, ANDREW (11) LA1	TF	15:0
	El Camino Real		
	MORA, JAIME (12) C7	337	
104	Firebaugh	MORA	FIR
	SCAMBLER, BRYAN (12) SD2	DEF	4.0
	Hilltop		
	CLAY, PHILLIP (12) SD4		
105	Monte Vista	GLAVIN	WDC
	GLAVIN, BRAD (12) SJ3	F	2:46
	Woodcreek		
	MORALEZ, MARK (12) C1	338	
106	Tulare	ALEKSANYAN	CC
	ALEKSANYAN, PATRICK (12) S6	8	3
	Calvary Chapel/SA		
	GARCIA, WILLIE (11) S7		
107	Santa Fe	GARCIA	SF
	MACHADO, TOMMY (12) CC1	14	12
	Oak Grove		
	MALDONADO, ERIC (11) C4	339	
108	Golden West	COX	OAK
	COX, JEFF (12) SJ2	F	1:47
	Oakdale		
	PARADA, NATHAN (12) SD3		
109	Orange Glen	TAN	JLG
	TAN, MERRICK (12) NC1	4	2
	James Logan		
	BIONDO, JOSIAH (11) SJ4	340	
6	Vacaville	SILVAR	SGOC
	GUTIERREZ, URBANO (12) C5	110	
	Madera		
	SILVAR, JESUS (12) S2	F	4:53
	Santiago/Cor		

16	8	3.0	KIRKEMO	MLK	
629	8	7	5.0	KIRKEMO	MLK
1	0	2.0	WARSH	POW	
777	8	7	11.0	GONZALEZ	TUR
630	F	2:36	4.0	BROOKS	SHA
630	F	:29	7.0	GONZALEZ	TUR
6	0	2.0	GONZALEZ	TUR	
888	4	2	4.0	GONZALEZ	TUR
		1st			
631	F	1:40	4.0	BOWMAN	TVY
631	6	3	5.0	ALEKSANYAN	CC
10	8	2.0	ALEKSANYAN	CC	
778	10	5	11.0	ALEKSANYAN	CC
632	F	2:31	4.0	COX	OAK
632	15	10	5.0	SILVAR	SGOC
9	0	3.0	SILVAR	SGOC	

**GONZALEZ, LEWIS (11) SJ1**  
Turlock

**ALEKSANYAN, PATRICK (12) S6**  
Calvary Chapel/SA

- 1st GONZALEZ, LEWIS (11) SJ1 Turlock
- 2nd ALEKSANYAN, PATRICK (12) S6 Calvary Chapel/SA
- 3rd COX, JEFF (12) SJ2 Oakdale
- 4th SILVAR, JESUS (12) S2 Santiago/Cor
- 5th BROOKS, ERIC (11) N1 Shasta
- 6th KIRKEMO, JIMMY (12) S1 M.L. King
- 7th BOWMAN, KIPP (11) S3 Temecula Valley
- 8th WARSH, ELWIN (11) SD1 Poway



341	PRESSNAL	ALB	517	GUTIERREZ	MAD
6	5	1.0	5	3	1.0
244	GUTIERREZ	MAD	5	3	1.0
342	EIGELBACH	TH	518	SERRATO	SA
13	7	1.0	5	3	1.0
343	WEBBER	BAK	519	GUTIERREZ	MAD
13	7	1.0	2	1	1.0
344	WEBBER	BAK	519	GUTIERREZ	MAD
5	1	1.0	2	1	1.0
345	MARAGLIA	NU	520	COX	OAK
8	5	1.0	6	4	1.0
346	SCHNEIDER	BUC	520	COX	OAK
8	3	1.0	7	0	3.0
347	HAYGOOD	GIL	521	BOWMAN	TVY
7	2	1.0	6	4	1.0
348	HAYGOOD	GIL	521	BOWMAN	TVY
3	1	1.0	7	0	3.0
349	GARCIA	ALI	521	BOWMAN	TVY
3	1	1.0	7	0	3.0
350	TOBIN	ECR	522	KIRKEMO	MLK
4	2	1.0	11	2	2.0
351	TAN	JLG	522	BROOKS	SHA
4	2	1.0	9	6	2.0
352	MORALEZ	TU	523	BROOKS	SHA
11	2	2.0	8	3	1.0
353	MORALEZ	TU	523	BROOKS	SHA
11	2	2.0	8	3	1.0
354	GARCIA	SF	523	BROOKS	SHA
F	2:12	3.0	8	3	1.0
355	MALDONADO	GW	524	BROOKS	SHA
8	3	1.0	F	:52	5.0
356	GLAVIN	WDC	524	BROOKS	SHA
F	2:12	3.0	F	3:29	3.0
357	GLAVIN	WDC	524	WARSH	POW
F	2:12	3.0	6	4	2.0
358	PARADA	OLG	524	WARSH	POW
11	9	1.0	6	4	2.0
359	PARADA	OLG	524	SILVAR	SGOC
F	4:36	3.0	10	4	5.0
360	MORA	FIR	524	SILVAR	SGOC
F	4:36	3.0	10	4	5.0

Plan 1

858	BOWMAN	TVY	7th	KIRKEMO	MLK	5th
5	3	2.0	857	BROOKS	SHA	2.0
WARSH	POW		WARSH	POW		

# 2004 CIF State Championship

Weight Class : **140 lbs.**



111	GARCIA, BENNY (12) SJ1 Manteca CONTERAS, ABRAHAM (10) S8 North Torrance PUMAREJO, JAY (12) C7 Clovis West	GARCIA F 1:54	MAN 4.0
112	ZUBIATE, ADAM (12) CC3 NMC LAUNDER, JACOB (12) SD2 Granite Hills/SD	ZUBIATE DEF	NMC 4.0
113	ESPERICUETA, LUCAS (10) C3 Shafter DOUPE, ADAM (12) SJ5 Elk Grove	ESPERICUETA F 3:58	SHF 4.0
114	JUAREGUI, DAVID (12) S1 Calvary Chapel/SA LUCERO, ANTHONY (11) SJ4 Lincoln	JUAREGUI TF 23-8	CC 3.5
115	LUCATERO, OCTAVIO (12) CC2 San Benito ST. GAUDENS, GEORGE (12) S5 Yucca Valley	LUCATERO 13 1	SBO 3.0
116	VALENZUELA, DON (12) C2 Buchanan BOX, ANTHONY (9) C6 Bakersfield	ST. GAUDENS F 3:54	YV 4.0
117	BINGHAM, NATHAN (12) NC1 Antioch AGUILAR, CARLOS (12) S4 Mayfair	BINGHAM F :43	ANT 4.0
118	AGUILAR, CARLOS (12) S4 Mayfair UM, NELSON (11) O1 Oakland High	AGUILAR F 1:52	MAY 4.0
119	TRAVERS, MIKE (12) SJ2 Escalon DEYOUNG, MATT (11) SD3 Hilltop	TRAVERS F 1:55	ESC 4.0
120	TIRAPELLE, TROY (12) C1 Clovis PHILIPS, DAVID (12) S6 Don Lugo	TIRAPELLE F :57	CLO 4.0
121	ORANGE, KIYOSHI (12) NC3 James Logan LUSCOMBE, JOHN (10) N1 Tule Lake	LUSCOMBE TF 15-0	TL 3.5
122	PEZZAT, SINAI (12) C5 Farmersville DEL DUCA, DOMINIC (11) S2 Ayala	DEL DUCA F 1:51	AYA 4.0
123	GUTIERREZ, SEBASTIAN (12) SJ3 Turlock LAWES, JONATHAN (12) LA1 Chatsworth	GUTIERREZ F 4:29	TUR 4.0
124	SWARTS, SPENCER (12) SD1 Poway WILSON, ADAM (9) S7 Righetti	SWARTS F 3:27	POW 4.0
125	OLIVEIRA, MIKE (11) C4 Lemoore HAYWORTH, JOHN (12) NC2 DeLaSalle	OLIVEIRA 4 3	LEM 2.0
7	CRANE, GREG (10) CC1 Fremont	CRANE F 5:25	FRE 4.0
	LEON, NICK (10) S3 Northview CUTLER, JOE (10) SF1 Lowell	LEON F 3:21	NVW 4.0

637	GARCIA 7 4	MAN 2.0
638	JUAREGUI F 3:10	CC 7.0
639	JUAREGUI TF 5:51	CC 3.5
640	JUAREGUI F 3:59	CC 13.0
641	LUCATERO 13 1	SBO 3.0
642	LUCATERO 7 5	SBO 2.0
643	LUCATERO 5 3	SBO 5.0
644	BINGHAM F 5:32	ANT 4.0
781	JUAREGUI F 3:59	CC 13.0
782	TIRAPELLE 13 12	CLO 4.0
783	TIRAPELLE F 1:35	CLO 4.0
784	TIRAPELLE TF 15-0	CLO 6.5
785	TIRAPELLE F 2:26	CLO 13.0
786	SWARTS 19 13	POW 2.0
787	SWARTS 14 3	POW 6.0
788	CRANE 7 3	FRE 2.0
789	DEL DUCA 16 10	AYA 2.0
790	DEL DUCA F 1:51	AYA 4.0
791	GUTIERREZ F 4:29	TUR 4.0
792	SWARTS F 3:27	POW 4.0
793	OLIVEIRA 4 3	LEM 2.0
794	CRANE F 5:25	FRE 4.0
795	LEON F 3:21	NVW 4.0

**JUAREGUI, DAVID (12) S1**  
Calvary Chapel/SA

**TIRAPELLE, TROY (12) C1**  
Clovis

- 1st TIRAPELLE, TROY (12) C1 Clovis
- 2nd JUAREGUI, DAVID (12) S1 Calvary Chapel/SA
- 3rd SWARTS, SPENCER (12) SD1 Poway
- 4th DEL DUCA, DOMINIC (11) S2 Ayala
- 5th GARCIA, BENNY (12) SJ1 Manteca
- 6th LUCATERO, OCTAVIO (12) CC2 San Benito
- 7th BINGHAM, NATHAN (12) NC1 Antioch
- 8th DOUPE, ADAM (12) SJ5 Elk Grove



357	PUMAREJO 5 3	CW 1.0
358	DOUPE 14 4	EG 2.0
359	LUCATERO 11 6	LIN 1.0
360	BOX F 2:10	BAK 3.0
361	DEYOUNG 8 6	HTP 1.0
362	ORANGE F :17	JLG 3.0
363	WILSON TF 16-0	RIG 2.5
364	LEON 10 2	NVW 2.0
525	PUMAREJO TF 20-5	CW 2.5
526	DOUPE 10 8	EG 1.0
527	LUCATERO 13 6	LIN 1.0
528	BOX F 2:10	BAK 3.0
529	DEYOUNG 8 6	HTP 1.0
530	ORANGE F :17	JLG 3.0
531	WILSON TF 16-0	RIG 2.5
532	LEON 10 2	NVW 2.0
533	AGUILAR F 2:08	MAY 3.0
534	DOUPE 10 8	EG 1.0
535	LUCATERO 13 6	LIN 1.0
536	BOX F 2:10	BAK 3.0
537	DEYOUNG 8 6	HTP 1.0
538	ORANGE F :17	JLG 3.0
539	WILSON TF 16-0	RIG 2.5
540	LEON 10 2	NVW 2.0
541	AGUILAR F 2:08	MAY 3.0
542	DOUPE 10 8	EG 1.0
543	LUCATERO 13 6	LIN 1.0
544	BOX F 2:10	BAK 3.0
545	DEYOUNG 8 6	HTP 1.0
546	ORANGE F :17	JLG 3.0
547	WILSON TF 16-0	RIG 2.5
548	LEON 10 2	NVW 2.0
549	AGUILAR F 2:08	MAY 3.0
550	DOUPE 10 8	EG 1.0
551	LUCATERO 13 6	LIN 1.0
552	BOX F 2:10	BAK 3.0
553	DEYOUNG 8 6	HTP 1.0
554	ORANGE F :17	JLG 3.0
555	WILSON TF 16-0	RIG 2.5
556	LEON 10 2	NVW 2.0
557	AGUILAR F 2:08	MAY 3.0
558	DOUPE 10 8	EG 1.0
559	LUCATERO 13 6	LIN 1.0
560	BOX F 2:10	BAK 3.0
561	DEYOUNG 8 6	HTP 1.0
562	ORANGE F :17	JLG 3.0
563	WILSON TF 16-0	RIG 2.5
564	LEON 10 2	NVW 2.0
565	AGUILAR F 2:08	MAY 3.0
566	DOUPE 10 8	EG 1.0
567	LUCATERO 13 6	LIN 1.0
568	BOX F 2:10	BAK 3.0
569	DEYOUNG 8 6	HTP 1.0
570	ORANGE F :17	JLG 3.0
571	WILSON TF 16-0	RIG 2.5
572	LEON 10 2	NVW 2.0
573	AGUILAR F 2:08	MAY 3.0
574	DOUPE 10 8	EG 1.0
575	LUCATERO 13 6	LIN 1.0
576	BOX F 2:10	BAK 3.0
577	DEYOUNG 8 6	HTP 1.0
578	ORANGE F :17	JLG 3.0
579	WILSON TF 16-0	RIG 2.5
580	LEON 10 2	NVW 2.0
581	AGUILAR F 2:08	MAY 3.0
582	DOUPE 10 8	EG 1.0
583	LUCATERO 13 6	LIN 1.0
584	BOX F 2:10	BAK 3.0
585	DEYOUNG 8 6	HTP 1.0
586	ORANGE F :17	JLG 3.0
587	WILSON TF 16-0	RIG 2.5
588	LEON 10 2	NVW 2.0
589	AGUILAR F 2:08	MAY 3.0
590	DOUPE 10 8	EG 1.0
591	LUCATERO 13 6	LIN 1.0
592	BOX F 2:10	BAK 3.0
593	DEYOUNG 8 6	HTP 1.0
594	ORANGE F :17	JLG 3.0
595	WILSON TF 16-0	RIG 2.5
596	LEON 10 2	NVW 2.0
597	AGUILAR F 2:08	MAY 3.0
598	DOUPE 10 8	EG 1.0
599	LUCATERO 13 6	LIN 1.0
600	BOX F 2:10	BAK 3.0

641	DOUPE 6 5	EG 1.0
642	DOUPE 4 0	EG 2.0
643	CRANE 7 3	FRE 2.0
644	DEL DUCA 12 8	AYA 1.0
645	DEL DUCA TF 16-0	AYA 3.5
646	DEL DUCA 5 3	AYA 3.0
647	DEL DUCA TF 16-0	AYA 3.5
648	DEL DUCA 5 2	AYA 5.0
649	GUTIERREZ 11 2	TUR 2.0
650	BINGHAM 16 2	ANT 3.0
651	GARCIA 5 1	MAN 3.0
652	GARCIA 8 1	MAN 2.0
653	SWARTS 8 2	POW 5.0
654	GARCIA 5 1	MAN 3.0
655	SWARTS 8 2	POW 5.0
656	GARCIA 5 1	MAN 3.0
657	SWARTS 8 2	POW 5.0
658	GARCIA 5 1	MAN 3.0
659	SWARTS 8 2	POW 5.0
660	GARCIA 5 1	MAN 3.0
661	SWARTS 8 2	POW 5.0
662	GARCIA 5 1	MAN 3.0
663	SWARTS 8 2	POW 5.0
664	GARCIA 5 1	MAN 3.0
665	SWARTS 8 2	POW 5.0
666	GARCIA 5 1	MAN 3.0
667	SWARTS 8 2	POW 5.0
668	GARCIA 5 1	MAN 3.0
669	SWARTS 8 2	POW 5.0
670	GARCIA 5 1	MAN 3.0
671	SWARTS 8 2	POW 5.0
672	GARCIA 5 1	MAN 3.0
673	SWARTS 8 2	POW 5.0
674	GARCIA 5 1	MAN 3.0
675	SWARTS 8 2	POW 5.0
676	GARCIA 5 1	MAN 3.0
677	SWARTS 8 2	POW 5.0
678	GARCIA 5 1	MAN 3.0
679	SWARTS 8 2	POW 5.0
680	GARCIA 5 1	MAN 3.0
681	SWARTS 8 2	POW 5.0
682	GARCIA 5 1	MAN 3.0
683	SWARTS 8 2	POW 5.0
684	GARCIA 5 1	MAN 3.0
685	SWARTS 8 2	POW 5.0
686	GARCIA 5 1	MAN 3.0
687	SWARTS 8 2	POW 5.0
688	GARCIA 5 1	MAN 3.0
689	SWARTS 8 2	POW 5.0
690	GARCIA 5 1	MAN 3.0
691	SWARTS 8 2	POW 5.0
692	GARCIA 5 1	MAN 3.0
693	SWARTS 8 2	POW 5.0
694	GARCIA 5 1	MAN 3.0
695	SWARTS 8 2	POW 5.0
696	GARCIA 5 1	MAN 3.0
697	SWARTS 8 2	POW 5.0
698	GARCIA 5 1	MAN 3.0
699	SWARTS 8 2	POW 5.0
700	GARCIA 5 1	MAN 3.0

**SWARTS, SPENCER (12) SD1**  
Poway

Plan 5

861	DOUPE 13 4	EG 2.0
860	BINGHAM 13 4	ANT 2.0
860	LUCATERO 2 1	SBO 2.0
860	GARCIA 2 1	MAN 2.0



# 2004 CIF State Championship

Weight Class : **145 lbs.**



127	DANZ, JORDAN (11) SJ1 Ponderosa SOLOMONE, GENO (11) S8 San Jacinto	DANZ	PON	4.0
128	BOTELLO, OSCAR (12) C7 Exeter ROMESBERG, CALLAN (12) CC3	BOTELLO	EXE	2.0
129	FIELDING, COBY (12) C3 Buchanan URQUIZO, STEVEN (11) SJ5	FIELDING	BUC	2.0
130	ACOSTA, DAVID (12) S1 Merced North Torrance THRALL, J.D. (11) SJ4	ACOSTA	NT	2.0
131	TORCULAS, RICKY (12) CC2 NMC TICE, TREVOR (12) S5	TORCULAS	NMC	2.0
132	HERRERA, ALEX (12) C2 Atascadero Bakersfield CORONADO, JOHNNY (12) C6	HERRERA	BAK	2.0
133	CLARK, JON (12) NC1 Firebaugh DeLaSalle DOMINGUEZ, ROBERT (12) S4	CLARK	DLS	3.0
134	DOMINGUEZ, ROBERT (12) S4 Northview SWAIN, BRANDON (10) O1 Oakland High VASCONCELLOS, CODY (11) SJ2	DOMINGUEZ	NVW	4.0
135	SWEIG, DAVID (12) SD3 Central Catholic Poway MARTINEZ, CHRIS (12) C1	SWEIG	POW	2.0
136	MARTINEZ, CHRIS (12) C1 Clovis West MONTE, DUSTIN (11) S6	MARTINEZ	CW	3.0
137	WOOD, TRAVIS (10) N1 Liberty Modoc DOHERTY, RANDY (11) C5	WOOD	MOD	4.0
138	BEESON, CORY (11) S2 Tulare Temecula Valley VIGNA, MATT (12) SJ3	BEESON	TVY	2.0
139	AGUIRRE, RICKY (11) LA1 Bella Vista San Fernando VASQUEZ, RANDY (12) SD1	AGUIRRE	SFR	4.0
140	VASQUEZ, RANDY (12) SD1 Scripps Ranch FOSS, JOE (12) S7	VASQUEZ	SCR	2.0
141	PENDLETON, WILLY (10) C4 San Clemente Lemoore GIFFIN, MATT (11) NC2	PENDLETON	LEM	3.0
8	MADDOX, NATHAN (12) S3 Dana Hills CODY, BRIAN (11) SF1 Occonnel	MADDOX	DH	4.0

365	DANZ	PON	3.5
645	DANZ	PON	5.0
366	ACOSTA	NT	2.0
785	HERRERA	BAK	11.0
367	HERRERA	BAK	2.0
646	HERRERA	BAK	5.0
368	CLARK	DLS	2.0
369	MARTINEZ	CW	4.0
647	MARTINEZ	CW	6.5
370	WOOD	MOD	4.0
786	MARTINEZ	CW	13.0
371	AGUIRRE	SFR	4.0
648	TRUJILLO	GRE	7.0
372	TRUJILLO	GRE	2.0
142	MADDOX	DH	4.0
373	SOLOMONE	SJ	3.0
533	SOLOMONE	SJ	3.0
534	DOMINGUEZ	NVW	1.0
649	TORCULAS	NMC	2.0
729	TORCULAS	NMC	4.0
535	TICE	ATA	1.0
787	FIELDING	BUC	3.0
536	FIELDING	BUC	1.0
650	FIELDING	BUC	1.0
730	FIELDING	BUC	2.0
827	FIELDING	BUC	3.0
537	MONTE	RIG	1.0
651	PENDLETON	LEM	1.0
731	PENDLETON	LEM	1.0
862	DANZ	PON	2.0
538	DOHERTY	TU	3.0
732	CLARK	DLS	2.0
788	ACOSTA	NT	3.0
828	ACOSTA	NT	7.0
539	FOSS	SC	1.0
652	SWEIG	POW	2.0
733	ACOSTA	NT	2.0
863	FIELDING	BUC	2.0
540	MADDOX	DH	1.0
864	TORCULAS	NMC	2.0

**HERRERA, ALEX (12) C2**  
Bakersfield

**MARTINEZ, CHRIS (12) C1**  
Clovis West

- 1st HERRERA, ALEX (12) C2 Bakersfield
- 2nd MARTINEZ, CHRIS (12) C1 Clovis West
- 3rd DANZ, JORDAN (11) SJ1 Ponderosa
- 4th ACOSTA, DAVID (12) S1 North Torrance
- 5th FIELDING, COBY (12) C3 Buchanan
- 6th TRUJILLO, GABRIEL (12) CC1 Greenfield
- 7th CLARK, JON (12) NC1 DeLaSalle
- 8th TORCULAS, RICKY (12) CC2 NMC



Plan 5

864	TORCULAS	NMC	7th	FIELDING	BUC	5th
863	CLARK	DLS	2.0	TRUJILLO	GRE	7 0
862	CLARK	DLS	8 6	FIELDING	BUC	7 0

# 2004 CIF State Championship

Weight Class : **152 lbs.**



**WILLIAMS, RYAN (12) SD1**  
La Costa Canyon

**PEASE, BOBBY (12) CC1**  
Los Gatos



- 1st WILLIAMS, RYAN (12) SD1 La Costa Canyon
- 2nd PEASE, BOBBY (12) CC1 Los Gatos
- 3rd MCGEORGE, SAM (12) S1 Northview
- 4th RHEES, GLENN (12) S3 Atascadero
- 5th O'HARA, MIKE (12) S2 Redlands East Vly
- 6th DOUD, JERRY (12) SJ3 Natomas
- 7th CRONAN, AUSTIN (11) SJ1 Turlock
- 8th THOMPSON, BRYCE (12) C2 Clovis

143	MITCHELL, DAVID (12) CC3 SLV EATON, JOHN (12) N1 Paradise RHEES, GLENN (12) S3 Atascadero COATS, JAMES (12) NC3 Livermore THOMPSON, BRYCE (12) C2 Clovis PAGE, NATHAN (12) SJ4 Bella Vista HAMES, KYLE (12) S6 Morro Bay WILLIAMS, RYAN (12) SD1 La Costa Canyon CRONAN, AUSTIN (11) SJ1 Turlock BLACKWELL, ERIC (11) S7 Royal TAYLOR, ZAC (12) CC2 James Lick LANDOIS, ORLANDO (12) C3 Wasco WEST, DOUG (12) C6 Monache ABUAN, JAMES (12) NC2 James Logan O'HARA, MIKE (12) S2 Redlands East Vly WAN, CLINTON (11) SF1 Galileo SUMMERS, JOSH (11) SJ2 Del Oro REYNOLDS, RAPHAEL (11) LA1 San Fernando GENTRY, ZAC (11) S5 Alta Loma MEREDITH, CHIP (12) C1 Central SANCHEZ, ERIC (12) C7 Madera ARAGON, JOE (12) S4 Upland KENDE, STEVEN (12) SD3 Hilltop PEASE, BOBBY (12) CC1 Los Gatos MCGEORGE, SAM (12) S1 Northview CARAZO, VICTOR (10) SJ5 Grace Davis SINGH, JASPAL (11) SD2 Poway PACKARD, KENNETH (11) C5 Roosevelt POOR, PARKER (12) S8 Santa Ynez YEE, GILBERT (12) NC1 Washington/NC WENDER, K.B. (12) C4 Clovis East	MITCHELL 10 8 381 RHEES 8 5 382 WILLIAMS 14 1 383 CRONAN 6 4 384 O'HARA F 3:44 385 REYNOLDS 6 5 386 SANCHEZ F 3:47 387 MCGEORGE 9 5 388 DOUD 11 8 158	SLV 2.0 ATA 2.0 LCC 5.0 LCC 2.0 TUR 2.0 TUR 2.0 REV 7.0 REV 2.0 SFR 2.0 CENT 2.0 MAD 4.0 LG 4.0 LG 4.0 NVW 2.0 POW 2.0 NAT 5.0 NAT 4.0
-----	----------------------------------------------------------------------------------------------------------------------------------------------------------------------------------------------------------------------------------------------------------------------------------------------------------------------------------------------------------------------------------------------------------------------------------------------------------------------------------------------------------------------------------------------------------------------------------------------------------------------------------------------------------------------------------------------------------------------------------------------------------------------------------------------------------------------------------------------------------------------------------------------------------------------------------------------------------------------------------------------------------------------------------------------------------------------------------------------------------------------------------------------------------------------------------------------------------------------------	-------------------------------------------------------------------------------------------------------------------------------------------------------------------------------------------------------------------------------------	-------------------------------------------------------------------------------------------------------------------------------------------------------------------------------------------------------------------------------------------

16	9	2.0
653	7	1
654	F	5:35
655	5	3
656	8	3
657	14	6
658	13	1
659	5	4
660	15	3
733	1	0
734	7	5
735	8	4
736	7	3
791	4	3
792	5	3
793	7	1
794	7	3
795	15	3

9	TARPEH, HENRIQUE (12) O1 Oakland High DOUD, JERRY (12) SJ3 Natomas	DOUD F 1:13 4.0	NAT 2.0
389	EATON PAR 10 8 TARPEH OH	3.0	WEST MON 6 5 1.0
390	PAGE BV HAMES MB TAYLOR JL	3.0	WEST MON 14 6 2.0
391	BLACKWELL ROY LANDOIS WASC THOMPSON CLO	1.0	MCGEORGE NVW 1 0 2.0
392	ABUAN JLG WAN GA MITCHELL SLV	3.0	MCGEORGE NVW 4 3 3.0
393	SUMMERS DO GENTRY AL YEE WSH	1.0	MCGEORGE NVW 6 0 5.0
394	ARAGON UPL KENDE HTP SINGH POW	2.0	MCGEORGE NVW 4 1 2.0
395	CARAZO GD PACKARD ROO SANCHEZ MAD	1.0	RHEES ATA 5 3 3.0
396	POOR SY WENDER CE MEREDITH CENT	3.0	RHEES ATA 7 1 5.0

Plan 3

THOMPSON CLO	7th	O'HARA REV	5th
867	CRONAN TUR	866	O'HARA REV
CRONAN TUR	4 2	DOUD NAT	15 3 3.0

# 2004 CIF State Championship

Weight Class : **160 lbs.**



**DEVAULT, CALVIN (12) S2**  
Temecula Valley

**MERRITT, BRIAN (12) S1**  
Yucca Valley



- 1st DEVAULT, CALVIN (12) S2 Temecula Valley
- 2nd MERRITT, BRIAN (12) S1 Yucca Valley
- 3rd LOWDEN, JOHN (12) SJ1 Laguna Creek
- 4th BERNACCHI, TYLER (12) C1 Clovis East
- 5th GREEN, BOBBY (12) S4 A.B. Miller
- 6th NOACK, DUSTIN (12) C2 Clovis West
- 7th DUBBS, KYLE (11) SJ3 Vacaville
- 8th BARBRE, EVAN (12) SD3 Vista

159	MONTANEZ, DAN (11) CC3 Monta Vista	HERNANDEZ	PLE	3.0
	HERNANDEZ, NICK (12) N1 Pleasant Valley	14 3	397	
160	APODACA, MILES (12) S3 Arroyo Grande	APODACA	AG	4.0
	GILROY, MIKE (11) NC3 Newark Memorial	F 4:51	661	
161	NOACK, DUSTIN (12) C2 Clovis West	NOACK	CW	4.0
	MILLER, CORY (12) SJ4 El Dorado	F 1:37	398	
162	ALVAREZ, GREG (12) S6 Baldwin Park	ALVAREZ	BWP	2.0
	FUCHS, TYLER (12) SD1 Poway	3 2	793	
163	LOWDEN, JOHN (12) SJ1 Laguna Creek	LOWDEN	LC	4.0
	HENNINGSEN, JASON (12) S7 Granite Hills/S	F 5:07	399	
164	WOODWARD, TODD (11) CC2 Del Mar	WOODWARD	DM	2.0
	CASTILLO, CAIN (12) C3 Woodlake	7 4	662	
165	WARA, GARTH (12) C6 Madera	WARA	MAD	2.0
	KNITTLE, JUSTIN (12) NC2 Liberty	6 1	400	
166	DEVAULT, CALVIN (12) S2 Temecula Valley	DEVAULT	TVY	4.0
	MENESES, GREG (12) SF1 Washington/SF	F :53	792	
167	BENJAMIN, PAUL (12) SJ2 Jesuit	BENJAMIN	JES	2.0
	PIVARAL, RUBEN (12) LA1 Bell	6 4	401	
168	BERNACCHI, TYLER (12) C1 Harvard Westlake	BERNACCHI	CE	3.0
	ACEVEDO, ABEL (12) C7 Clovis East	13 2	663	
169	GREEN, BOBBY (12) S4 Monache	GREEN	ABM	3.0
	A.B. Miller BARBRE, EVAN (12) SD3	18 9	402	
170	VELASQUEZ, ALEJO (12) CC1 Vista	BARBRE	VIS	3.0
	MERRITT, BRIAN (12) S1 San Benito	10 2	794	
171	MERRITT, BRIAN (12) S1 Yucca Valley	MERRITT	YV	2.0
	BOHN, ROBERT (12) SJ5 Davis	7 2	403	
172	ORME, DEREK (12) SD2 La Costa Canyon	ORME	LCC	2.0
	CEREMELLO, SHAUN (11) C5 Clovis	3 2	664	
173	AGYEMAN, KWABENA (12) S8 Ontario	AGYEMAN	ONT	2.0
	RAMOS, TIM (12) NC1 Ukiah	8 7	404	
10	BOGER, MATT (10) C4 Coalinga	DUBBS	VAC	2.0
	BROWN, CAMERON (10) O1 Oakland High	8 6	174	
	DUBBS, KYLE (11) SJ3 Vacaville	TF 17-2	3.5	

APODACA	AG	2.0
6 5		
NOACK	CW	6.0
15 3		
NOACK	CW	2.0
4 3		
DEVAULT	TVY	11.0
7 4		
LOWDEN	LC	4.0
F 1:23		
DEVAULT	TVY	5.0
13 8		
DEVAULT	TVY	3.5
TF 18-3		
BERNACCHI	CE	4.0
DEF		
GREEN	ABM	6.5
TF 18-3		
GREEN	ABM	3.5
TF 17-2		
MERRITT	YV	11.0
5 4		
MERRITT	YV	5.0
5 4		
DUBBS	VAC	3.0
17 4		

MONTANEZ	MVA	405	MVA	549
248	8 1	1.0	MONTANEZ	MVA
GILROY	NM	BROWN	OH	6 3
		WARA	MAD	6 3
		1.0	MONTANEZ	MVA
		550		665
		FUCHS	POW	7 2
		10 2	2.0	1.0
		FUCHS	POW	737
		WOODWARD	DM	5 2
		F 1:41	3.0	2.0
		HENNINGSEN	GH	551
		407		DUBBS
		HENNINGSEN	GH	VAC
		CASTILLO	WOO	1 9
		1.0	ALVAREZ	BWP
		552		795
		ALVAREZ	BWP	9 1
		2.0		3.0
		408		831
		MENESES	WA	4 3
		1.0	HERNANDEZ	PLE
		HERNANDEZ	PLE	TF 17-1
		2.5		7.0
		PIVARAL	BLL	553
		409		832
		PIVARAL	BLL	7 6
		1.0	PIVARAL	BLL
		AGYEMAN	ONT	TF 19-2
		2.5		3.0
		ACEVEDO	MON	554
		410		739
		VELASQUEZ	SBO	F 2:20
		14 5	2.0	3.0
		ORME	LCC	5 4
		1.0		3.0
		BOHN	DAV	555
		411		796
		CEREMELLO	CLO	4 2
		1.0	LOWDEN	LC
		BARBRE	VIS	10 3
		1.0		4.0
		RAMOS	UKI	556
		412		832
		BOGER	COA	7 3
		2.0	BARBRE	VIS
		BOGER	COA	11 3
		2.0		2.0
		BENJAMIN	JES	9 6
		1.0		7.0

MONTANEZ	MVA	7 2	1.0
737			
DUBBS	VAC	5 2	2.0
BERNACCHI	CE	9 2	3.0
BERNACCHI	CE	6 2	2.0
NOACK	CW		
BERNACCHI	CE		
PIVARAL	BLL	F 2:20	3.0
LOWDEN	LC	8 0	3.0
LOWDEN	LC		
LOWDEN	LC	14 2	4.0
BARBRE	VIS	7 3	1.0
BARBRE	VIS	11 5	2.0
APODACA	AG		
GREEN	ABM		

Plan 3

DUBBS	VAC	7th	NOACK	CW	5th
870			869		
BARBRE	VIS	14 9	2.0	GREEN	ABM
				DEF	4.0

# 2004 CIF State Championship

Weight Class : **171 lbs.**



175	STORMO, JIMMY (11) S1 San Jacinto PACHECO, ALEX (12) C6 Washington Union	STORMO TF 5:41	SJ 3.5
176	Deer Valley CARBAJAL, JULIAN (11) CC2 Mt. Pleasant GARCIA, MARCUS (12) C3	CARBAJAL F 1:58	MP 4.0
177	Tulare LEE, TIM (10) SF1 Washington/SF NEJAL, RYAN (12) SD1	GARCIA F :46	TU 4.0
178	Scripps Ranch DENCKLAU, DAVID (11) S8 Yucca Valley HAWKINS, TIM (11) S5	NEJAL TF 16-1	SCR 3.5
179	Arroyo BALDWIN, JAKE (12) N1 Foothill/N MUNCHER, JARED (11) SJ5	BALDWIN 18 8	FHL 3.0
180	Will C. Wood GRIFFIN, KYLE (12) C2 Clovis East DRAKE, MICHAEL (11) SJ1	GRIFFIN 12 1	CE 3.0
181	Elk Grove GONZALEZ, ANGEL (12) CC3 Greenfield ALVARADO, CHRIS (12) NC2	DRAKE TF 16-0	EG 3.5
182	James Logan ALONZO, JAIRO (12) S4 Anaheim WINTER, DANIEL (12) S3	ALVARADO 10 2	JLG 3.0
183	Troy HARVEY, DANIEL (11) LA1 Birmingham ACOSTA, JESSE (11) C7	HARVEY 3 2	BIR 2.0
184	Coalinga MORGAN, MATT (12) SD2 West Hills WILLIAMS, LEROY (11) O1	MORGAN F 1:55	WHL 4.0
185	Mc Clymonds PREYER, PATRICK (12) SJ3 Sheldon VARNER, JAKE (11) C1	PREYER 10 5	SHE 2.0
186	Bakersfield KELLY, COREY (12) S6 Peninsula LEGERE, RICK (12) S7	VARNER F :49	BAK 4.0
187	Norco ZABALA, MARK (12) CC1 Gilroy LEVAY, BRYAN (12) C4	ZABALA 7 4	GIL 2.0
188	Madera CORSARO, BEN (12) SJ2 Tokay MCGRAW, KYLE (12) SD3	LEVAY 9 7	MAD 2.0
189	Monte Vista JENSEN, RYAN (12) NC1 Sonoma RICHARDS, EARL (11) SJ4	MCGRAW F 2:59	MOV 4.0
11	TURLEY, CHRIS (12) C5 Clovis West KHAKI, BEHNOM (12) S2 Buena	TURLEY F 3:14	CW 4.0

413	STORMO F 1:18	SJ 4.0
414	GARCIA F 5:20	TU 4.0
415	GRIFFIN 6 5	CE 2.0
416	DRAKE 4 3	EG 2.0
417	MORGAN 21 8	WHL 3.0
418	VARNER F 3:03	BAK 4.0
419	ZABALA 6 3	GIL 2.0
420	MCGRAW F :39	MOV 4.0
421	PACHECO 13 6	WAS 1.0
422	DENCKLAU F 1:32	YV 3.0
423	HAWKINS 3 0	ARR 1.0
424	GONZALEZ 24 11	ANA 2.0
425	WINTER F 2:33	COA 3.0
426	KELLY F 3:50	PEN 3.0
427	LEGERE 11 10	TOK 1.0
428	JENSEN F 1:3	CW 3.0
669	STORMO 2 0	SJ 5.0
670	DRAKE 5 4	EG 5.0
671	VARNER 11 1	BAK 6.0
672	MCGRAW 3 1	MOV 5.0
673	BALDWIN 6 2	FHL 1.0
674	NEJAL F 2:28	SCR 3.0
675	LEVAY TF 16-0	MAD 2.5
676	JENSEN 9 3	SNM 1.0
797	DRAKE 5 3	EG 11.0
798	VARNER F 1:08	BAK 13.0
799	NEJAL 9 5	SCR 3.0
799	NEJAL 7 3	SCR 2.0
800	GARCIA 11 0	TU 4.0
833	NEJAL F 1:31	SCR 7.0
834	GARCIA 9 2	TU 2.0
871	GARCIA 5 3	TU 2.0
872	STORMO 9 2	TU 2.0
873	BALDWIN 8 7	FHL 2.0
874	LEVAY 10 5	MAD 2.0
875	STORMO 15 5	SJ 3.0

**DRAKE, MICHAEL (11) SJ1**  
Elk Grove

**VARNER, JAKE (11) C1**  
Bakersfield

- 1st VARNER, JAKE (11) C1 Bakersfield
- 2nd DRAKE, MICHAEL (11) SJ1 Elk Grove
- 3rd GARCIA, MARCUS (12) C3 Tulare
- 4th NEJAL, RYAN (12) SD1 Scripps Ranch
- 5th STORMO, JIMMY (11) S1 San Jacinto
- 6th MCGRAW, KYLE (12) SD3 Monte Vista
- 7th LEVAY, BRYAN (12) C4 Madera
- 8th BALDWIN, JAKE (12) N1 Foothill/N



421	PACHECO 13 6	WAS 1.0
422	DENCKLAU F 1:32	YV 3.0
423	HAWKINS 3 0	ARR 1.0
424	GONZALEZ 24 11	ANA 2.0
425	WINTER F 2:33	COA 3.0
426	KELLY F 3:50	PEN 3.0
427	LEGERE 11 10	TOK 1.0
428	JENSEN F 1:3	CW 3.0
557	PACHECO 13 6	WAS 1.0
558	DENCKLAU F 1:32	YV 3.0
559	HAWKINS 3 0	ARR 1.0
560	GONZALEZ 24 11	ANA 2.0
561	WINTER F 2:33	COA 3.0
562	KELLY F 3:50	PEN 3.0
563	LEGERE 11 10	TOK 1.0
564	JENSEN F 1:3	CW 3.0
565	RICHARDS 13 4	GV 2.0
566	LEVAY TF 16-0	MAD 2.5
567	GRIFFIN 6 5	CE 2.0
568	NEJAL F 4:12	SCR 3.0
569	NEJAL 7 3	SCR 2.0
570	STORMO 2 0	SJ 5.0
571	DRAKE 5 4	EG 5.0
572	VARNER 11 1	BAK 6.0
573	MCGRAW 3 1	MOV 5.0
574	BALDWIN 6 2	FHL 1.0
575	NEJAL F 2:28	SCR 3.0
576	LEVAY TF 16-0	MAD 2.5
577	JENSEN 9 3	SNM 1.0
578	DRAKE 5 3	EG 11.0
579	VARNER F 1:08	BAK 13.0
580	NEJAL 9 5	SCR 3.0
581	NEJAL 7 3	SCR 2.0
582	GARCIA 11 0	TU 4.0
583	NEJAL F 1:31	SCR 7.0
584	GARCIA 9 2	TU 2.0
585	GARCIA 5 3	TU 2.0
586	BALDWIN 8 7	FHL 2.0
587	LEVAY 10 5	MAD 2.0
588	STORMO 15 5	SJ 3.0

Plan 1

BALDWIN	FHL	7th	STORMO	SJ	5th
873	LEVAY	MAD	872	STORMO	SJ
LEVAY	MAD	10 5	2.0 MCGRAW	MOV	15 5 3.0

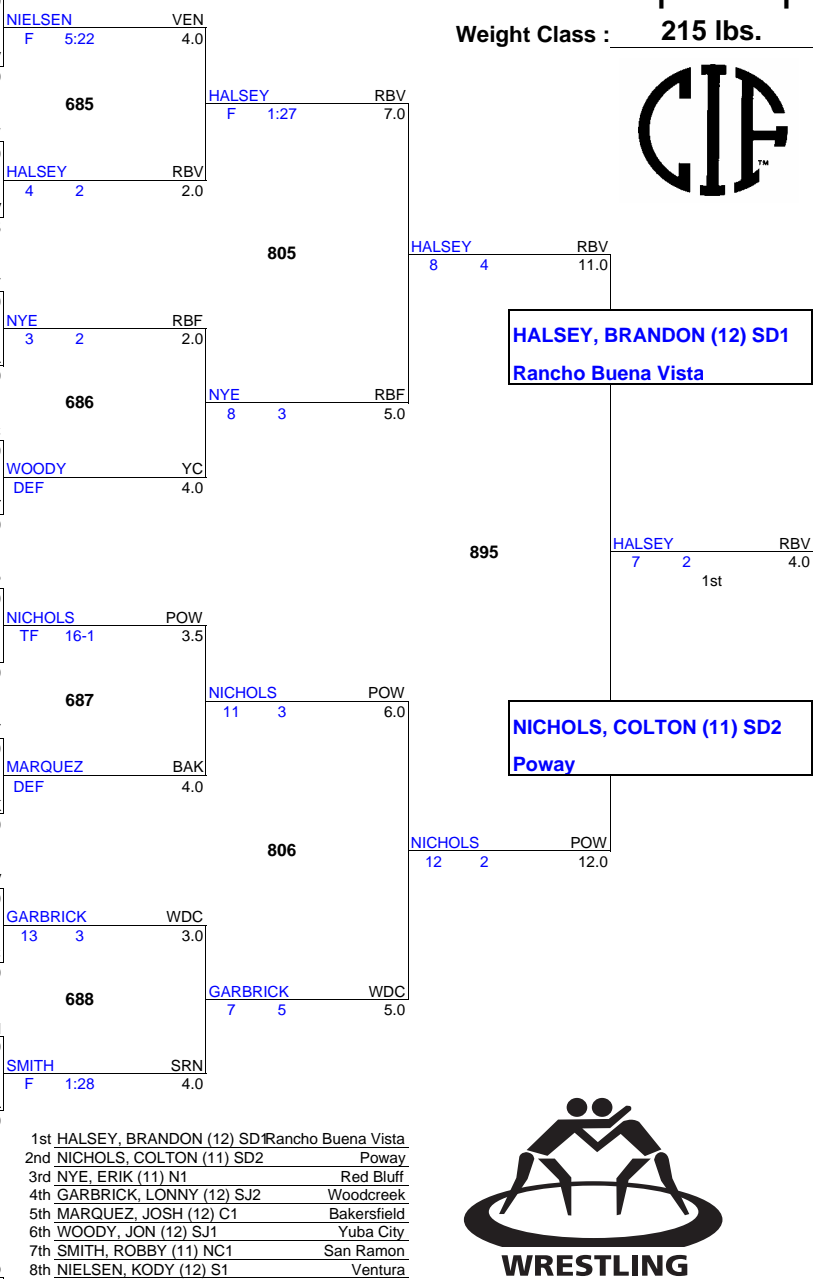


# 2004 CIF State Championship

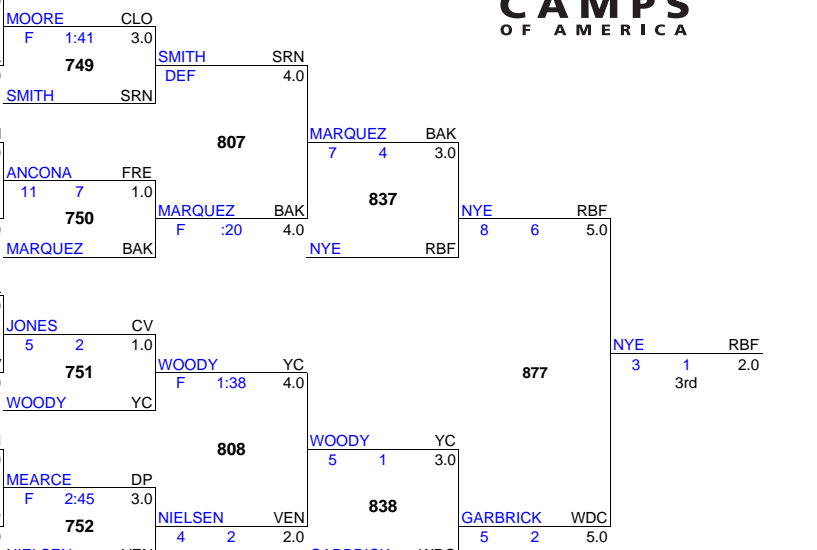
Weight Class : **215 lbs.**



207	NIELSEN, KODY (12) S1	VEN	2.0
	Ventura	NIELSEN	6 4
	MOORE, MARCUS (12) C6	VEN	2.0
	Clovis	NIELSEN	445
208	KRONCKE, KEITH (12) NC3	SV	2.0
	Montgomery	BLACK	8 6
	BLACK, DUSTIN (10) CC2	SV	2.0
	Scotts Valley	LEWIS	446
209	LEWIS, CHRIS (10) C3	CW	4.0
	Clovis West	WHITE, OTIS (12) SF1	F 5:32
	Galileo	HALSEY, BRANDON (12) SD1	4 2
210	Rancho Buena Vista	HALSEY	4 2
	HERNANDEZ, JOSE (12) S8	RBV	3.5
	Fullerton	TF 16-0	3.5
211	ISHLER, MATT (12) S5	RBF	2.0
	Santa Monica	NYE	13 7
	NYE, ERIK (11) N1	RBF	2.0
	Red Bluff	ASHCRAFT, JORDAN (12) SJ5	3 2
212	ASHCRAFT, JORDAN (12) SJ5	RBF	2.0
	Vacaville	TREJO	9 1
	TREJO, JUAN (12) C2	SEL	3.0
	Selma	WOODY	5 3
213	WOODY, JON (12) SJ1	YC	2.0
	Yuba City	ANCONA, ERNESTO (12) CC3	5 3
	Fremont	GILLEY, JIM (12) NC2	448
	Liberty	CIRILLO	448
214	CIRILLO, STEVE (12) S4	ET	4.0
	El Toro	F 3:09	4.0
	MEARCE, TYLER (12) S3	DP	4.0
215	Dos Pueblos	MEARCE	449
	JOHNSON, ROBERT (12) LA1	F 1:33	4.0
	Chatsworth	MERCER, DANIEL (12) C7	13 0
216	MERCER, DANIEL (12) C7	POW	3.0
	Clovis East	NICHOLS	13 0
	NICHOLS, COLTON (11) SD2	POW	3.0
	Poway	CAIN	450
217	CAIN, ISAIAH (11) O1	OT	4.0
	Oakland Technical	PARKS, ZACH (12) SJ3	F 1:28
	Turlock	MARQUEZ, JOSH (12) C1	450
	Bakersfield	MARQUEZ	20 7
218	PORTER, KENJI (11) S6	BAK	3.0
	Harvard Westlake	JONES, DAN (12) S7	11 3
219	JONES, DAN (12) S7	CV	3.0
	Capistrano Valley	ESTRADA, PAUL (12) CC1	11 3
	Gonzales	GARCIA, RUDY (11) C4	451
220	GARCIA, RUDY (11) C4	WDC	4.0
	Monache	GARBRICK, LONNY (12) SJ2	F 3:13
	Woodcreek	GIBSON, RYAN (12) SD3	SMITH
221	GIBSON, RYAN (12) SD3	SRN	4.0
	Brawley	SMITH, ROBBY (11) NC1	F 2:49
	San Ramon	COULSON, RYAN (10) SJ4	452
	Elk Grove	BENGARD	6 4
13	DAVIS, TIM (12) C5	LHL	2.0
	Stockdale	BENGARD, TRAVIS (12) S2	9 3
	Laguna Hills	BENGARD	222



251	MOORE	CLO	453	CLO	573
	KRONCKE	MTG	F 3:36	MOORE	CLO
	DAVIS	STO	F 2:43	3.0	MOORE
	WHITE	GA	CIRILLO	ET	DEF
	454	HERNANDEZ	FUL	689	MOORE
	HERNANDEZ	FUL	F 1:23	3.0	TREJO
	ISHLER	SMN	TREJO	SEL	10 0
	455	ISHLER	SMN	SMITH	SRN
	ASHCRAFT	VAC	F 1:41	3.0	ISHLER
	ANCONA	FRE	LEWIS	CW	F 3:46
	456	ANCONA	FRE	690	ANCONA
	GILLEY	LIB	F 1:17	3.0	ANCONA
	JOHNSON	CHT	BLACK	SV	F :42
	457	MERCER	CE	577	MARQUEZ
	MERCER	CE	8 0	2.0	BENGARD
	PARKS	TUR	BENGARD	LHL	12 3
	458	PARKS	TUR	691	JONES
	PORTER	HAR	6 3	1.0	JONES
	ESTRADA	GON	JONES	CV	3 1
	459	GARCIA	MON	579	WOODY
	GARCIA	MON	10 5	1.0	GARCIA
	GIBSON	BRA	CAIN	OT	DEF
	460	COULSON	EG	692	MEARCE
	COULSON	EG	5 0	1.0	MEARCE
			MEARCE	DP	F 3:55



Plan 1

SMITH	SRN	7th	MARQUEZ	BAK	5th
879	SMITH	SRN	878	MARQUEZ	BAK
NIELSEN	VEN	6 2	2.0	WOODY	YC
				F 1:51	4.0



# 2004 CIF State Championship

Weight Class : **275 lbs.**



223	FROMMOETHELYDO, D. J. (12) NC	GONZALES	PAC	10	3	2.0
	California	GONZALES, REYNALDO (12) S8				
	Pacific			461		
	BELL, COREY (12) N1					
224	Modoc	BELL	MOD	4	4	2.0
	TORRES, CARLOS (12) C2					
	Monache					
	MACK, ALEX (12) S1					
225	San Marcos	MACK	SMC	4	2	2.0
	GOMEZ, DANIEL (11) C5					
	Fowler			462		
	BALOGH, ALEX (11) CC2					
226	Watsonville	KAHO	PON	7	5	2.0
	KAHO, JON (11) SJ3					
	Ponderosa					
	MOORE, MARCUS (12) SJ2					
227	Hogan	MOORE	HOG	7	2	2.0
	MISIPEKA, ANDREW (11) S4					
	Chaparral			463		
	DRAZBA, MATT (12) NC1					
228	DeLaSalle	DRAZBA	DLS			
	PAULSON, RJ (11) C7	DEF				4.0
	Fresno					
	SKAGGS, NATHANIEL (12) SD1					
229	Rancho Bernardo	SKAGGS	RB	11	7	2.0
	QUINTERO, JASON (11) S7					
	Santa Maria			464		
	MCGUIRE, JOE (12) C3					
230	Sierra	MCGUIRE	SIE	10	7	2.0
	KHOZAN, ALEXEY (12) SF1					
	Washington/SF					
	MCCLUSKEY, JAMES (12) CC1					
231	Palo Alto	MCCLUSKEY	PA			
	SHIOSAKI, AARON (11) S5	F		2:48		4.0
	Peninsula			465		
	FURBUSH, STEVEN (12) SJ5					
232	Grace Davis	SHAW	PV			
	SHAW, ERNIE (12) SD2	F		:49		4.0
	Palo Verde					
	WILEY, PRESTON (12) C4					
233	Clovis West	KETELSLEGER	AYA	18	4	3.0
	KETELSLEGER, NICK (12) S2					
	Ayala					
	ZEDD, SCOTT (12) O1			466		
234	Oakland High	CHAVEZ	UKI	6	5	2.0
	CHAVEZ, JACOB (12) NC2					
	Ukiah					
	SAUER, WADE (12) SJ1					
235	Nevada Union	SAUER	NU			
	EWART, TRAVIS (11) S6	F		3:32		4.0
	La Sierra			467		
	LEYVA, VICTOR (12) C6					
236	Roosevelt	OHNSTAD	LCC			
	OHNSTAD, JORAN (12) SD3	F		1:00		4.0
	La Costa Canyon					
	SCONIERS, DECOVAN (12) C1					
237	Washington Union	WHETSTONE	TUR			
	WHETSTONE, BRYAN (12) SJ4	F		5:51		4.0
	Turlock			468		
	MOORE, GABRIAL (11) S3					
	Granite Hills/S	MOORE	GH			
14	DELGADILLO, SANTOS (10) LA1	JAMES	IND	238		
	San Fernando	F		2:45		4.0
	JAMES, TOMMY (11) CC3					
	Independence					

